



# DIESEL RT SCISSOR LIFT

## SR1623D ( SR5390D)

### HIGHLIGHTS

LGMG SR23D Series rough terrain scissor lifts deliver higher capacities and larger platforms for the most tough construction job sites. Four-wheel drive, oscillating axels and hydraulic outriggers provide superior stability on the most tough uneven surfaces.

- Larger working platform with dual extension decks offers great productivity.
- Powerful diesel engine, oscillating axels and four-wheel drive provide better performance on most rough terrain job sites.
- Standard features with one button auto leveling outriggers, overload system, motion alarm, help the operator to complete the job in a much safer way.
- Pull-out engine tray for easy access and maintenance.
- On-board self-diagnosis system makes it easier for quick troubleshooting.



# LGMG SR23D Series

## SPECIFICATIONS

MODELS		SR1623D (SR5390D)	
Measurements	Metric	US	
Working Height Max.	17.9m	58.7ft	
<b>A</b> Platform Height-Raised	15.9m	52.2ft	
<b>B</b> Platform Height-Stowed	2.08m	81.9ft	
<b>C</b> Platform Length	3.98m	13ft	
<b>D</b> Platform Width	1.83m	6ft	
<b>E</b> Overall Length(with ladder)	4.9m	16ft	
<b>F</b> Overall Width	2.3m	7.55ft	
<b>G</b> Overall Height-Rails Up	3.18m	10.45ft	
Overall Height-Rails Down	2.5m	8.2ft	
Extension Deck (Front/Rear)	1.45/1.14m	4.75/3.7ft	
<b>H</b> Wheelbase	2.85m	111.2in	
Ground Clearance-Center	0.23m	0.75ft	

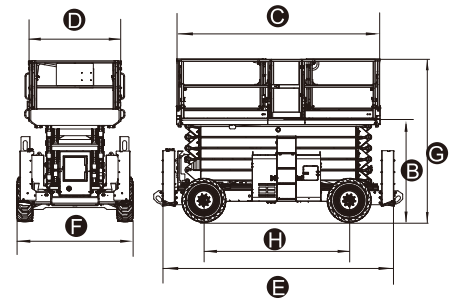
PRODUCTIVITY		
Platform Occupants Max. (in/out)	4/4	4/4
Platform Capacity	680kg	1500lbs
Platform Capacity-Extension	230kg	510lbs
Drive Height	8.5m	27.9ft
Gradeability-Stowed	40%	
Turning Radius-Outside	5.33m	17.45ft
Raise/Lower Speed	55/55s	
Brakes	Four-wheel Brake	
Drive Mode	4×4	
Tires Type	Solid	
Tires Size	835×290mm	33×12in

POWER		
Power Source	Deutz D2.9 L4 36.4kw/48.8hp	
Fuel Tank Capacity	110L	30gal

HYDRAULIC SYSTEM		
Hydraulic Oil Capacity	140L	37gal

WEIGHT		
Machine Weight(6.58m platform,CE/ANSI)	8100kg	17860lbs
Machine Weight (7.4m platform,CE/ANSI)	8200kg	18080lbs

Machines in compliant with EN280 / ANSI 92.20 Standard.



## STANDARD FEATURES

- Proportional control
- Tilt alarm with lift cut-out
- Overload sensing system
- Descent alarm with flashing beacon
- Self-lock entry gate
- Auto-leveling outriggers
- Emergency stop button
- On-board diagnostic system
- Oscillating axle
- Four-wheel drive and break
- Horn/Hour meter
- Emergency descent

## OPTIONAL

- 6.58m/7.4m platform extension
- AC power to platform
- Platform anti-collision device
- Hydraulic generator
- Solid non-marking tires
- Foam-filled tires
- Foam-filled non-marking tires

Specifications subject to change without notice.  
Photos and diagrams in the page are for promotional purposes only.  
2020 V1 Version

## LINGONG GROUP JINAN HEAVY MACHINERY CO., LTD.

Address: No. 2676, Kejia Road, Jinan, Shandong, China  
Email: sales@lmg.com.cn Tel: +86-0531-67879283

## LGMG Europe B.V.

Address: Laanweg 16 3208LC Spijkenisse Rotterdam, The Netherlands

## LGMG North America, Inc.

Address: 1445 Sheffler Dr, Chambersburg, PA. 17201, USA



RELIABILITY IN ACTION